





# Vessel Shelf

## Available finishes

Selection of stone, glass, solid surface and Caesarstone® 

 In Australia selected finishes are available exclusively through Reece showrooms.

For available finishes, please refer to the Omvivo website or contact Omvivo directly.

## Assembly

Each shelf is created from solid materials supplied with a 50 mm waste hole.

## Cleaning

For individual shelf cleaning recommendations please contact Omvivo.

## Additional information and recommended fittings

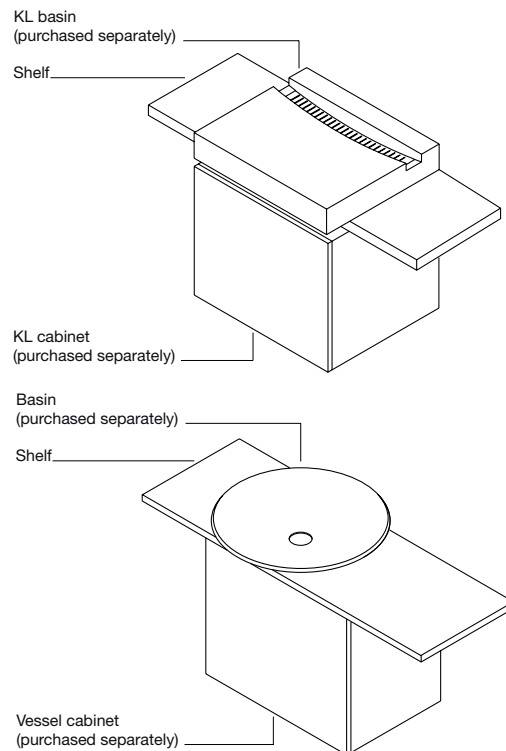
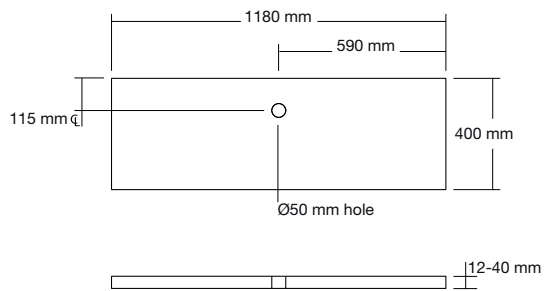
Please note - The Vessel shelf is used with the Vessel and KL cabinets. It simply sits between the vessel and the cabinet, no fixing is required.

## Important

This is not an installation guide.  
Please contact OMVIVO for technical details.  
Product specifications are subject to alteration without notice.

©OMVIVO Pty Ltd. 1999.

## Assembly



design Omvivo



Omvivo Pty Ltd Schiavello Complex T: + 61 3 9339 8130  
1 Sharps Road Tullamarine F: + 61 3 9330 8611  
Victoria Australia 3043 info@omvivo.com www.omvivo.com

Note: due to varying manufacturing methods, the dimensions illustrated here are nominal and subject to change. Omvivo has detailed, to the best of its ability, the most approximate measurement possible for each product given the method of manufacturing used.