



Vessel Cabinet Dark Oak Veneer

Available finishes

Dark oak veneer.

Assembly

Vessel cabinet assembly includes:

- Cabinet body
- Large drawer
- Soft close drawer mechanisms
- Steel wall mounting bracket

Cleaning

Veneer - Clean with a mild, non acidic, non abrasive detergent and soft cloth. Finish by cleaning off detergents with a soft damp cloth and towel dry.

Additional information and recommended fittings

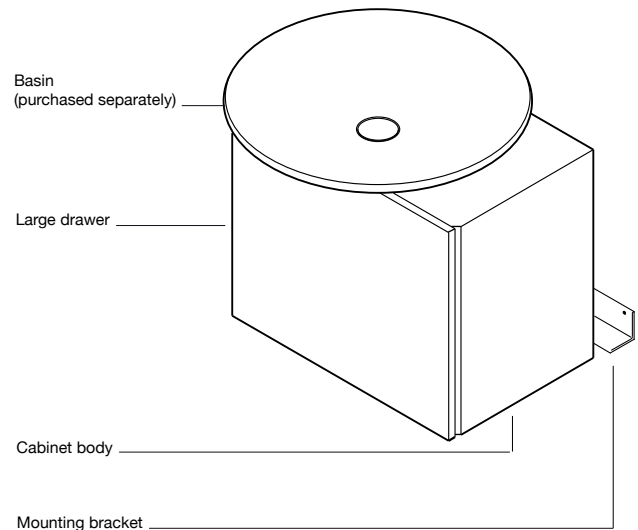
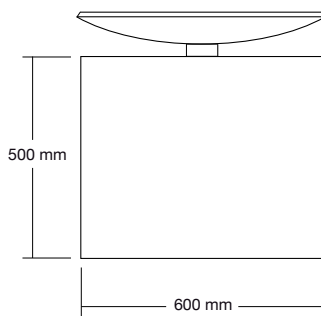
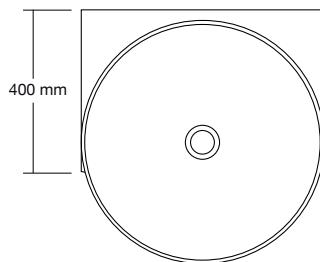
The vessel cabinet is designed to be wall mounted.
The vessel cabinet is designed specifically to compliment the Omvivo Pond and Aqua, Motif basins and the vessel shelves.

Important

This is not an installation guide.
Please contact OMVIVO for technical details.
Product specifications are subject to alteration without notice.

©OMVIVO Pty Ltd. 1999.

Assembly



design Omvivo

OMVIVO

Omvivo Pty Ltd Schiavello Complex T: + 61 3 9339 8130
1 Sharps Road Tullamarine F: + 61 3 9330 8611
Victoria Australia 3043 info@omvivo.com

www.omvivo.com

Note: due to varying manufacturing methods, the dimensions illustrated here are nominal and subject to change. Omvivo has detailed, to the best of its ability, the most approximate measurement possible for each product given the method of manufacturing used.



Vessel Cabinet White Gloss Thermofoil

Available finishes

White gloss thermofoil.

Assembly

Vessel cabinet assembly includes:

- Cabinet body
- Large drawer
- Soft close drawer mechanisms
- Steel wall mounting bracket

Cleaning

Thermofoil - Clean with a mild, non acidic, non abrasive detergent and soft cloth. Finish by cleaning off detergents with a soft damp cloth and towel dry.

Additional information and recommended fittings

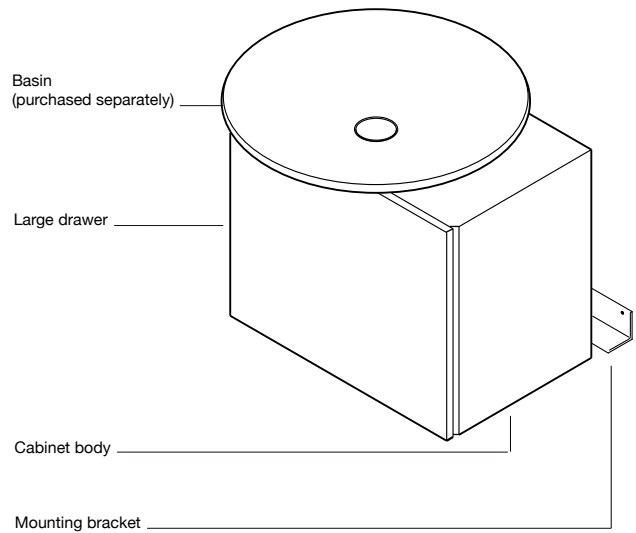
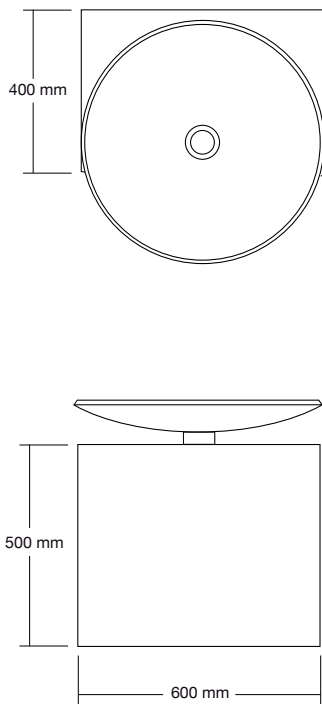
The vessel cabinet is designed to be wall mounted.
The vessel cabinet is designed specifically to compliment the Omvivo Pond and Aqua and Motif basins and the vessel shelves.

Important

This is not an installation guide.
Please contact OMVIVO for technical details.
Product specifications are subject to alteration without notice.

©OMVIVO Pty Ltd. 1999.

Assembly



design Omvivo

OMVIVO

Omvivo Pty Ltd Schiavello Complex T: + 61 3 9339 8130
1 Sharps Road Tullamarine F: + 61 3 9330 8611
Victoria Australia 3043 info@omvivo.com

www.omvivo.com

Note: due to varying manufacturing methods, the dimensions illustrated here are nominal and subject to change. Omvivo has detailed, to the best of its ability, the most approximate measurement possible for each product given the method of manufacturing used.



Vessel Cabinet Gunmetal Gloss Thermofoil

Available finishes

Gunmetal gloss thermofoil.

Assembly

Vessel cabinet assembly includes:

- Cabinet body
- Large drawer
- Soft close drawer mechanisms
- Steel wall mounting bracket

Cleaning

Thermofoil - Clean with a mild, non acidic, non abrasive detergent and soft cloth. Finish by cleaning off detergents with a soft damp cloth and towel dry.

Additional information and recommended fittings

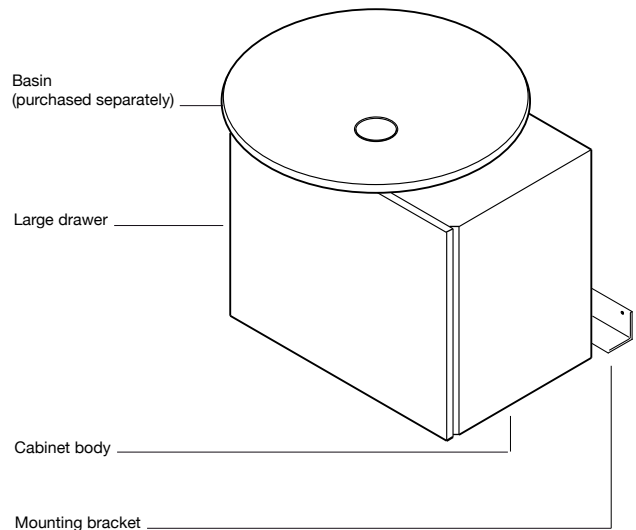
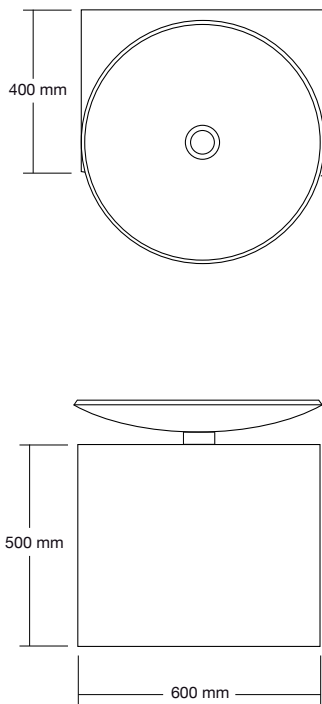
The vessel cabinet is designed to be wall mounted. The vessel cabinet is designed specifically to compliment the Omvivo Pond and Aqua, Motif basins and the vessel shelves.

Important

This is not an installation guide. Please contact OMVIVO for technical details. Product specifications are subject to alteration without notice.

©OMVIVO Pty Ltd. 1999.

Assembly



design Omvivo

OMVIVO

Omvivo Pty Ltd Schiavello Complex T: + 61 3 9339 8130
1 Sharps Road Tullamarine F: + 61 3 9330 8611
Victoria Australia 3043 info@omvivo.com

www.omvivo.com

Note: due to varying manufacturing methods, the dimensions illustrated here are nominal and subject to change. Omvivo has detailed, to the best of its ability, the most approximate measurement possible for each product given the method of manufacturing used.