



KL Cabinet Gunmetal Gloss Thermofoil

Available finishes

Gunmetal gloss thermofoil.

Assembly

KL cabinet assembly includes:

- Cabinet body
- Large drawer
- Internal top drawer
- Soft close drawer mechanisms
- Steel wall mounting bracket

Cleaning

Thermofoil - Clean with a mild, non acidic, non abrasive detergent and soft cloth. Finish by cleaning off detergents with a soft damp cloth and towel dry.

Additional information and recommended fittings

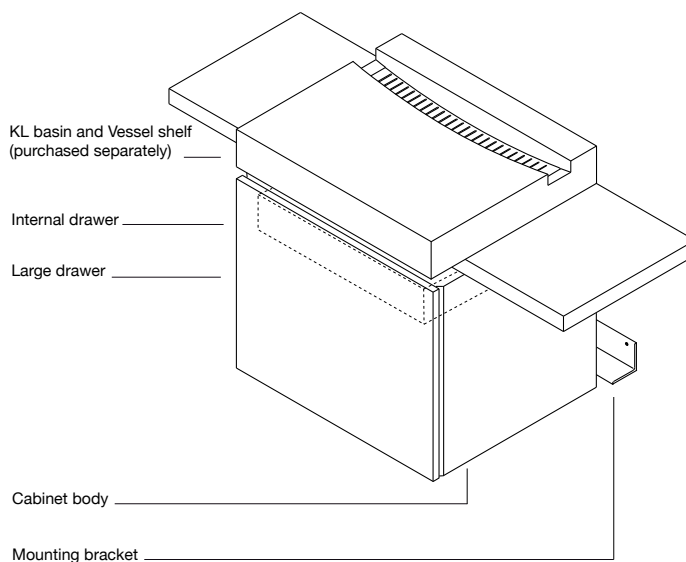
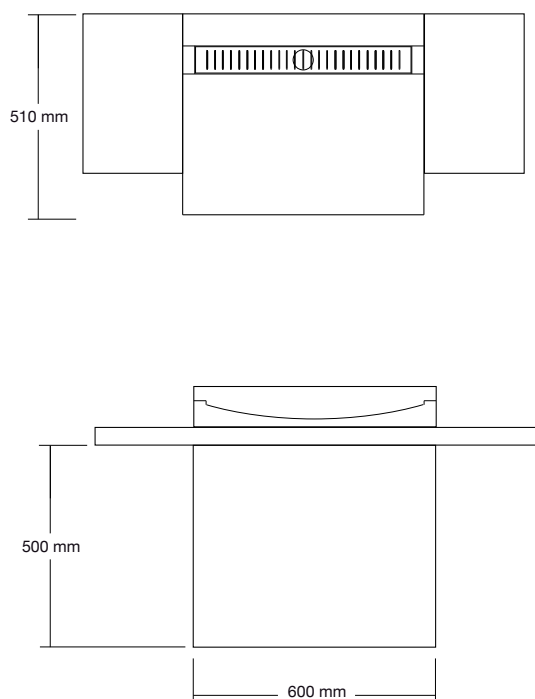
The KL cabinet is designed to be wall mounted.
The KL cabinets are designed specifically to compliment the KL basins and the vessel shelves.

Important

This is not an installation guide.
Please contact OMVIVO for technical details.
Product specifications are subject to alteration without notice.

©OMVIVO Pty Ltd. 1999.

Assembly



design Omvivo

OMVIVO

Omvivo Pty Ltd Schiavello Complex T: + 61 3 9339 8130
1 Sharps Road Tullamarine F: + 61 3 9330 8611
Victoria Australia 3043 info@omvivo.com

www.omvivo.com

Note: due to varying manufacturing methods, the dimensions illustrated here are nominal and subject to change. Omvivo has detailed, to the best of its ability, the most approximate measurement possible for each product given the method of manufacturing used.



KL Cabinet White Gloss Thermofoil

Available finishes

White gloss thermofoil.

Assembly

KL cabinet assembly includes:

- Cabinet body
- Large drawer
- Internal top drawer
- Soft close drawer mechanisms
- Steel wall mounting bracket

Cleaning

Thermofoil - Clean with a mild, non acidic, non abrasive detergent and soft cloth. Finish by cleaning off detergents with a soft damp cloth and towel dry.

Additional information and recommended fittings

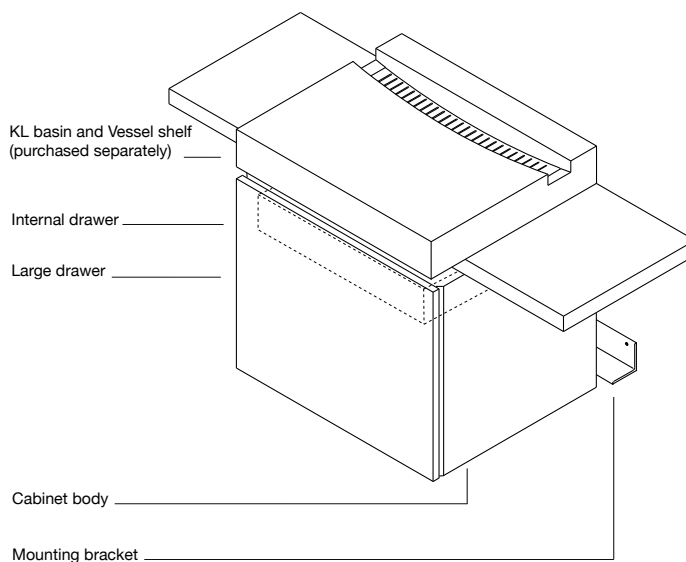
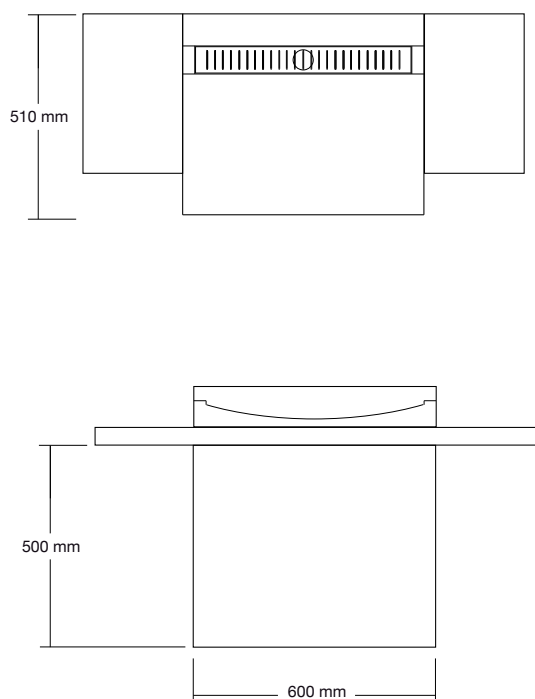
The KL cabinet is designed to be wall mounted.
The KL cabinets are designed specifically to compliment the KL basins and the vessel shelves.

Important

This is not an installation guide.
Please contact OMVIVO for technical details.
Product specifications are subject to alteration without notice.

©OMVIVO Pty Ltd. 1999.

Assembly



design Omvivo

OMVIVO

Omvivo Pty Ltd Schiavello Complex T: + 61 3 9339 8130
1 Sharps Road Tullamarine F: + 61 3 9330 8611
Victoria Australia 3043 info@omvivo.com

www.omvivo.com

Note: due to varying manufacturing methods, the dimensions illustrated here are nominal and subject to change. Omvivo has detailed, to the best of its ability, the most approximate measurement possible for each product given the method of manufacturing used.



KL Cabinet Dark Oak Veneer

Available finishes

Dark oak veneer.

Assembly

KL cabinet assembly includes:

- Cabinet body
- Large drawer
- Internal top drawer
- Soft close drawer mechanisms
- Steel wall mounting bracket

Cleaning

Veneer - Clean with a mild, non acidic, non abrasive detergent and soft cloth. Finish by cleaning off detergents with a soft damp cloth and towel dry.

Additional information and recommended fittings

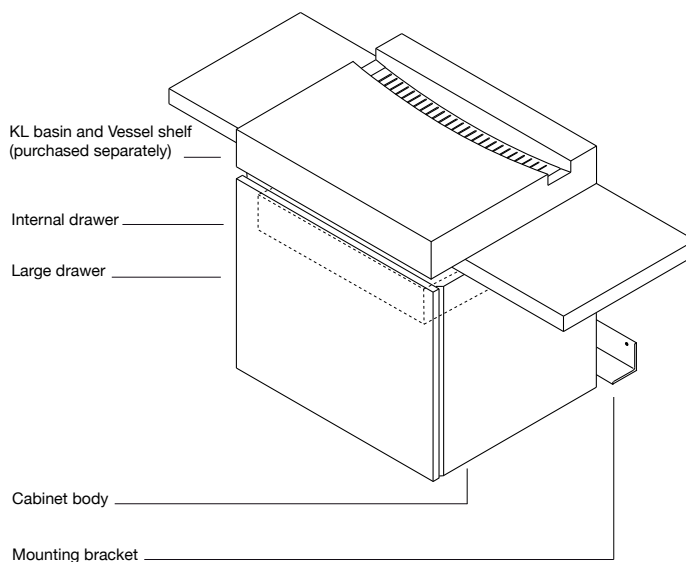
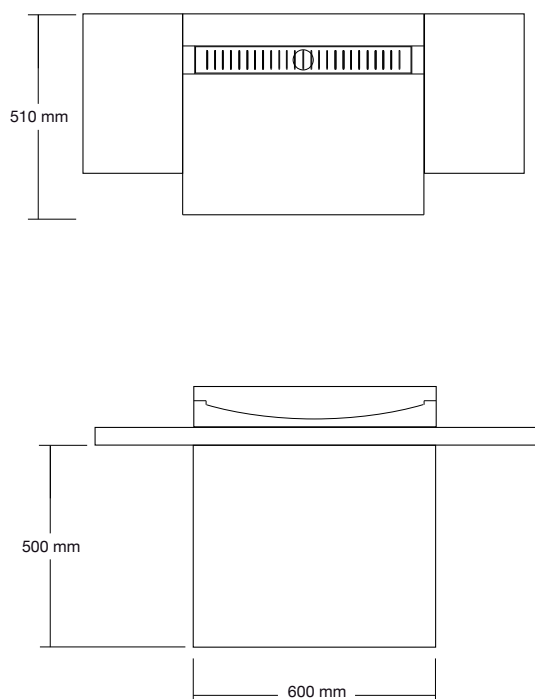
The KL cabinet is designed to be wall mounted.
The KL cabinets are designed specifically to compliment the KL basins and the vessel shelves.

Important

This is not an installation guide.
Please contact OMVIVO for technical details.
Product specifications are subject to alteration without notice.

©OMVIVO Pty Ltd. 1999.

Assembly



design Omvivo

OMVIVO

Omvivo Pty Ltd Schiavello Complex T: + 61 3 9339 8130
1 Sharps Road Tullamarine F: + 61 3 9330 8611
Victoria Australia 3043 info@omvivo.com

www.omvivo.com

Note: due to varying manufacturing methods, the dimensions illustrated here are nominal and subject to change. Omvivo has detailed, to the best of its ability, the most approximate measurement possible for each product given the method of manufacturing used.