




# Neo 1000 Centered Solid Surface

## Available finishes

Solid surface white. 

 In Australia, this product is available exclusively through Reece showrooms.

## Assembly

Neo 1000 centered basin assembly includes:

- Basin with overflow
- $\varnothing 32$  mm chrome pop up waste
- Rubber seals
- Chrome locknut

## Cleaning

Solid surface - Clean with a mild detergent and a soft cloth.  
For more stubborn marks a very mild abrasive cleaner can be used with a soft cloth over the entire surface in wide circular motions.  
Finish by cleaning off detergents with a soft wet cloth and towel dry.

## Additional information and recommended fittings

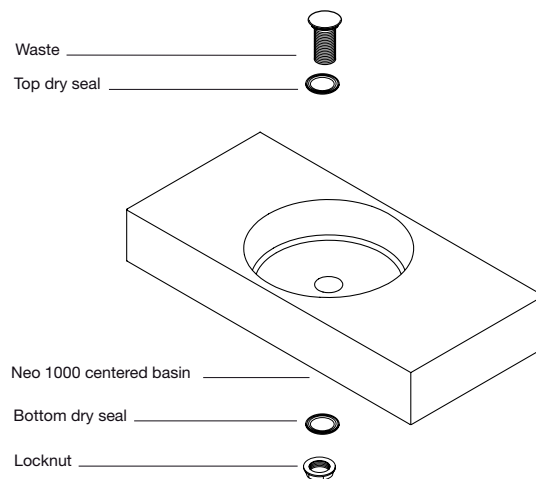
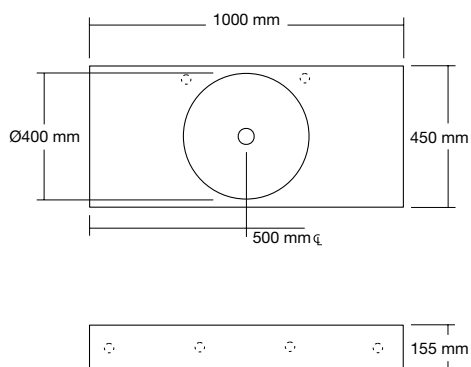
Neo 1000 centered basin can be bench mounted or wall mounted. Basin can be ordered with 0 or 1 tap hole. Neo cabinetry also available.

## Important

This is not an installation guide.  
Please contact OMVIVO for technical details.  
Product specifications are subject to alteration without notice.

©OMVIVO Pty Ltd. 2009.

## Assembly



design Thomas Coward

**OMVIVO**

Omviso Pty Ltd Schiavello Complex T: + 61 3 9339 8130  
1 Sharps Road Tullamarine F: + 61 3 9330 8611  
Victoria Australia 3043 info@omvivo.com

[www.omvivo.com](http://www.omvivo.com)

Note: due to varying manufacturing methods, the dimensions illustrated here are nominal and subject to change. Omvivo has detailed, to the best of its ability, the most approximate measurement possible for each product given the method of manufacturing used.